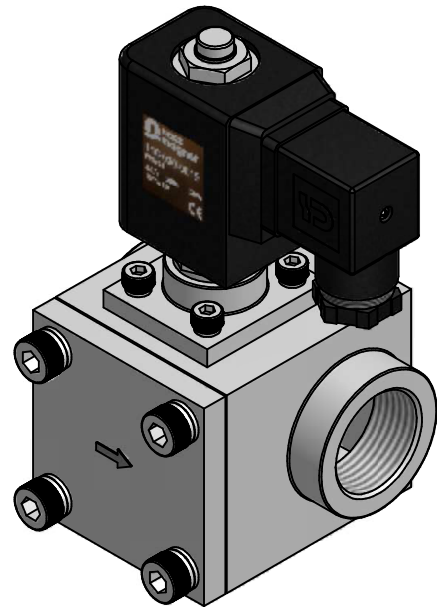
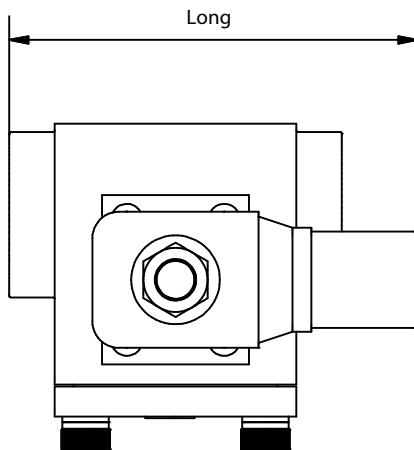
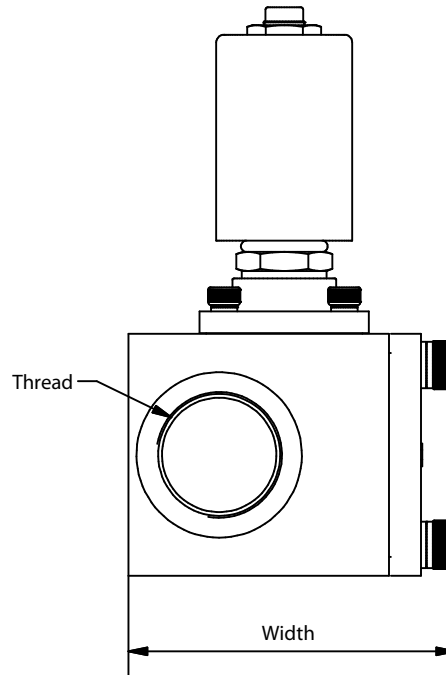
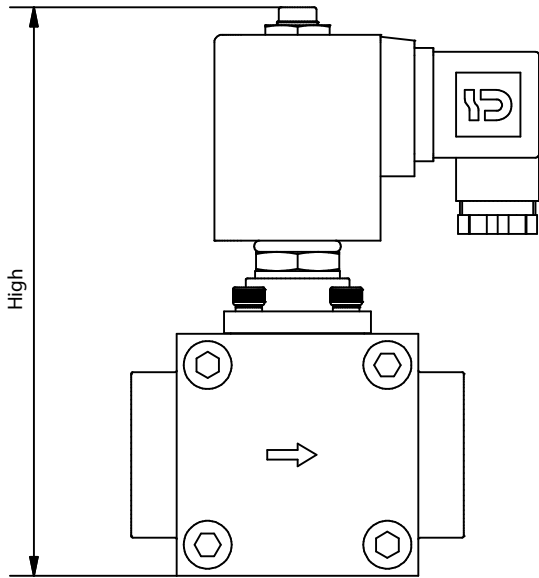


# ELECTRIC DIRECTIONAL VALVE

## AN/VDE12, AN/VDE34, AN/VDE1



| Specifications           |                            |
|--------------------------|----------------------------|
| Name                     | Value                      |
| Voltage range            | 220 VAC ±10%               |
| Frequency                | 50 Hz                      |
| Power                    | 33 VA                      |
| Electric connection      | F / N / PE (sección 1.5mm) |
| Rango presión de trabajo | 6 bar / 160 bar            |
| Maximum pressure         | 250 bar                    |
| Temperature range        | -5 °C / 130°C              |
| Body material            | SS304                      |
| Gasket material          | PTFE                       |
| Protection               | IP65                       |

| Specifications |        |        |       |        |
|----------------|--------|--------|-------|--------|
| Reference      | Thread | Long   | Width | High   |
| AN/VDE12       | G1/2"  | 99 mm  | 70 mm | 138 mm |
| AN/VDE34       | G3/4"  | 104 mm | 80 mm | 144 mm |
| AN/VDE1        | G1"    | 108 mm | 90 mm | 154 mm |

Description: Control device used to protect various risks with a single extinguishing system. It is the valve that gives way to the water to the required area.

| Token code:    | Family tab: | Reference: | Drawn: | Date:      | Reviewed: | Date:      | Revision: | Format: |
|----------------|-------------|------------|--------|------------|-----------|------------|-----------|---------|
| AEX-FTC-05-004 | Microaqua   | VER TABLA  | DCM    | 08/02/2017 | MRC       | 08/02/2017 | 1.1       | A4      |